

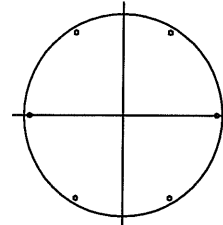
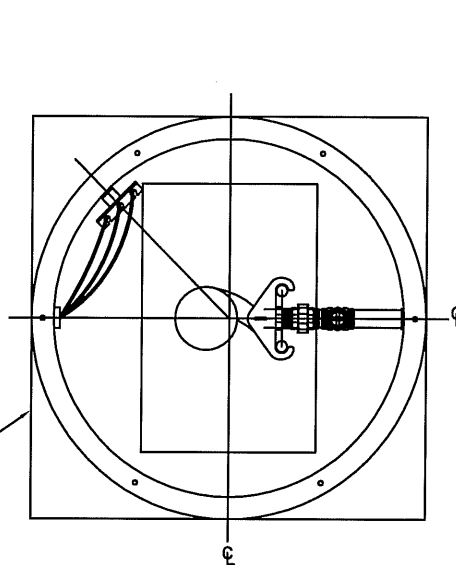
PUMP INFORMATION

Type: Grinder Pump
 Model NO: _____
 Rating: _____ GPM _____ TDH
 Motor: _____ HP _____ RPM
 Elec: _____ PH _____ HZ _____ v
 Elec: _____ FL AMPS

DISCHARGE PIPE

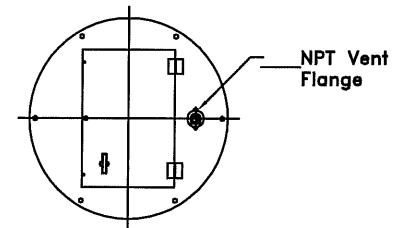
- 304 Stainless Steel
- Sch40 Galvanized Steel
- Sch80 PVC Pipe
- 1 1/4"
- 2"

- Anti-Floatation Flange
- Fiberglass Encapsulated
 - ASTM A-36 Steel
 - Round Fiberglass
 - None



Solid Cover

- Fiberglass
- Steel



Hinged and Lockable Cover

- Fiberglass
- Aluminum
- Steel

