

PUMP INFORMATION

Type: **Grinder Pump(s)**

Model NO: _____

Rating: _____ GPM _____ TDH

Motor: _____ HP _____ RPM

Elec: _____ PH _____ HZ _____ v

Elec: _____ FL AMPS

DISCHARGE PIPE

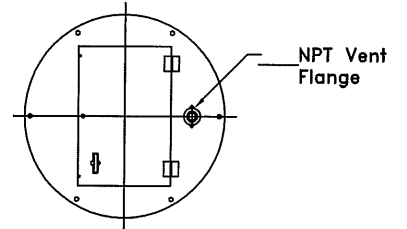
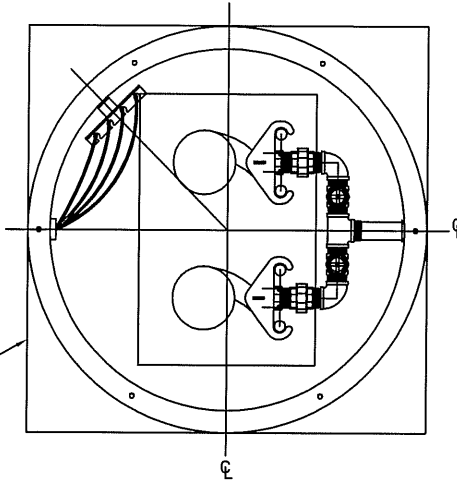
- Sch40 Galvanized Steel 1 1/4"
- Sch80 PVC Pipe 1 1/4"

LittleGIANT

Engineered Products®

P.O. Box 12010 Oklahoma City, OK
73157-2010 866-271-2859

Anti-Floatation Flange
Fiberglass Encapsulated
ASTM A-36 Steel



Hinged and Lockable Cover
Fiberglass Aluminum Steel

