

Engineered Products

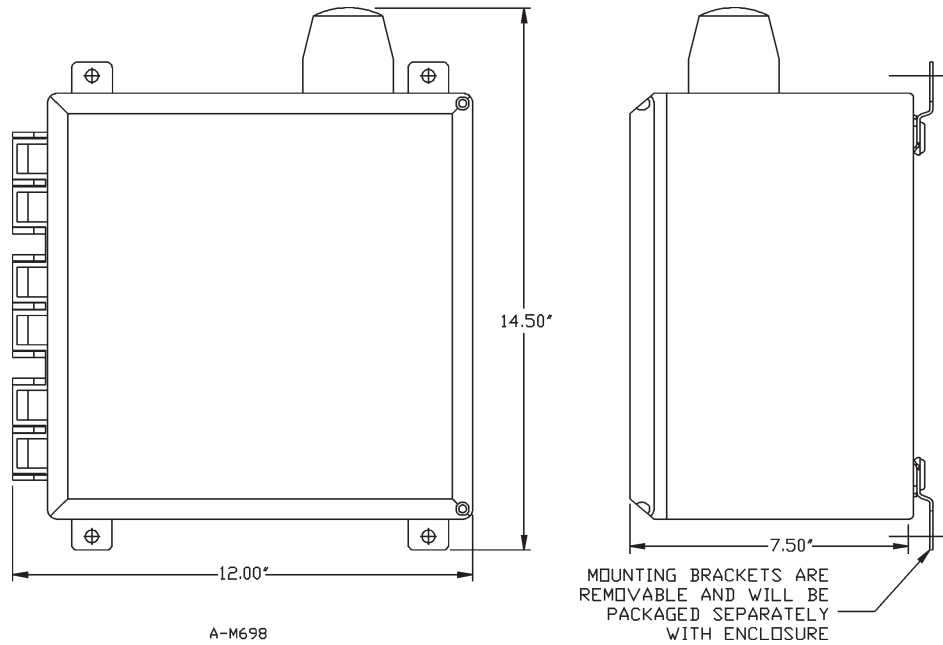
V3F-IGP PowerSewer® Control Panel



Features

- Controls the pump and warns of high liquid levels
- Push-button switch allows for "Hand" (manual) or "Automatic" operation
- Control ON/OFF switch controls power to the control floats and circuitry
- Mounted starting components designed for 2HP IGP-M231 grinder pumps
- cULus 508 listed
- Sensor control floats and an alarm float required (not included)
- NEMA 4X thermoplastic enclosure with molded mounting feet
- Lockable latches
- Standard sub-door and raised back panel
- Innovative "touch to silence" pad
- Sub-door float indication lights

Engineering Data



Specifications

Model No.	Item No.	Listing	Description	Dimension
V3F-IGP Control Panel	115757	cULus	V3F-IGP Control/Alarm 1 PH, 230, 60Hz	14.5" x 12" x 7.5"

General Installation Instructions

WARNING: Turn off power source before installing or adjusting this device. Failure to turn off power could result in serious or fatal electrical shock.

- Determine the mounting location for control panel. Liquid-tight connectors should be used on all cables entering panel. Conduit connectors, if used, must be sealed.
- Check local codes, the schematic and installation/operation manual for power circuit requirements. On the control panel, determine the "power in" location (from the building power supply).
CAUTION: BE SURE THE POWER SUPPLY VOLTAGE AND PHASE ARE THE SAME AS THE PUMP MOTORS BEING INSTALLED.
- Determine the location on the control panel for the pump power cables and float switch cables. Drill holes to fit the type of cable fittings to be used.
- Attach floats as shown in Typical Installation drawing.
- Following step-by-step instructions and wiring diagram included with panel, complete connections of all cables.
- Verify correct operation after installation.

NOTE: Franklin Electric cannot be responsible for damages caused by faulty or negligent installation of this control. We recommend that you engage the services of a competent plumber, electrician, or qualified service person to install this product in accordance with national and local electrical codes.

Typical Installation

