

# Engineered Products

## IGP-231



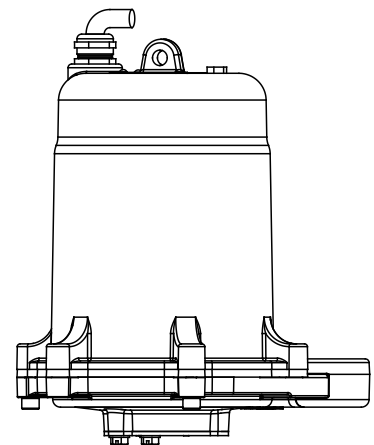
(U.S. Patent No. 7,237,736)



### Features

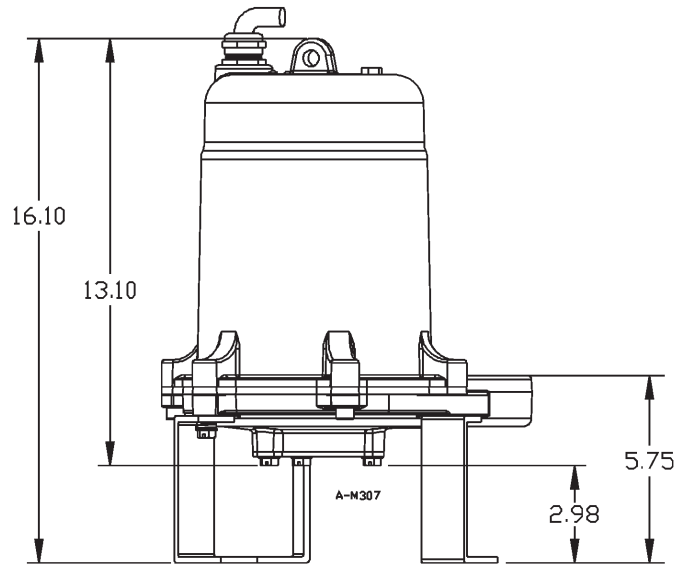
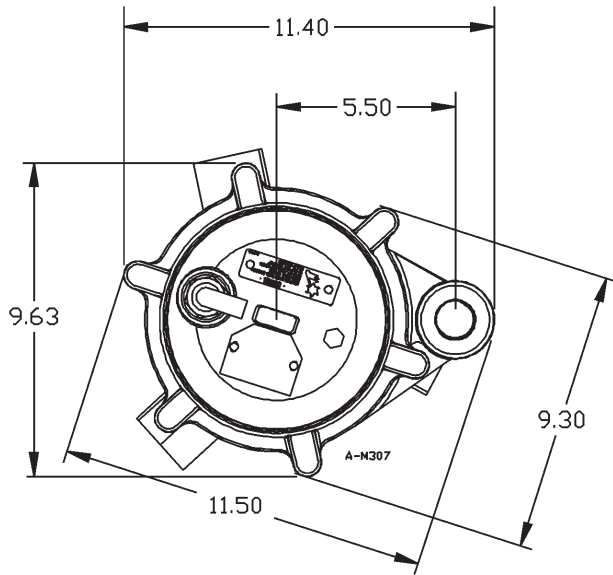
- Compact and light package, only 75 pounds
- Non-overloading design
- Externally mounted start components\*
- Carbon/ceramic mechanical seals
- Deflection resistant, short motor shaft
- Corrosion resistant brass impeller minimizes downtime and maintenance
- Seven-vane, angled face, non-clogging, balanced impeller
- Tight cutting clearances for superior cutting action, grinding 414,000 cuts per minute.
- Epoxy coated finish for corrosion resistance and durability
- Built-in overload protection prevents over-current and over-temperature damage

\* The IGP Series requires a specific control panel or capacitor kit from Little Giant matched to the pump for proper operation and third-party approval.



**LittleGIANT®**  
Engineered Products

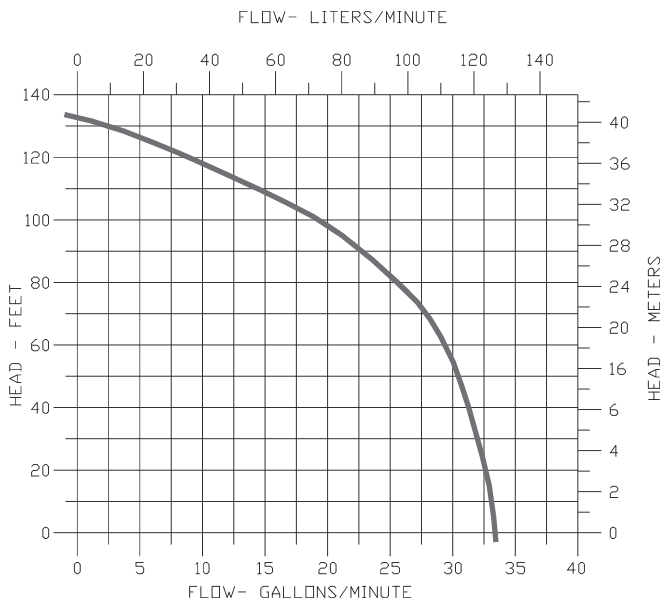
## Engineering Data



(Shown with optional leg kit)

## Specifications

Model No.	Item No.	Listing	HP	Volts	Hz	Full Load Amps/Watts	Performance (GPM@Head)						Shutoff	P.S.I.	Weight (lb.)
							20'	40'	60'	80'	100'	120'			
IGP-231	515865	UL/CSA	2	230	60	13.9/3200	32	31	30	25	20	10	130'	56	75



## Construction

Motor Cover	Cast iron with epoxy coating
Motor Cover O-Ring	Nitrile
Motor Design	Single phase, capacitor start, capacitor run
Insulation Class	F
Overload Protection	Internal, on winding thermal protector
Motor Shaft	AISI 300 series stainless steel
Ball Bearing-Upper	Single row ball, 6203
Ball Bearing-Lower	Single row ball, 6306
Seal Housing	Cast iron with epoxy coating
Mechanical Seal	Carbon/ceramic
Volute	Cast iron with epoxy coating
Impeller	Brass
Rotating Cutter	2 blade design, AISI 440C stainless steel, through-hardened to Rockwell 55-60C
Stationary Cutter	AISI 440C stainless steel, hardened to Rockwell 55-60C
External Hardware	300 series stainless steel
Power Cable	Type SOOW/or SOW 14/4 AWG



**Franklin Electric**

P.O. Box 12010  
 Oklahoma City, OK 73157-2010  
 Phone: 1.866.271.2859  
 Fax: 1.866.271.2709  
 www.LittleGiantPump.com